

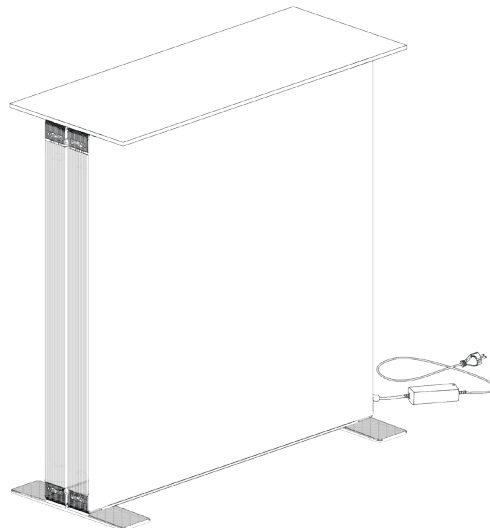
**156005**



**PIXLIP®**

# GO LIGHTBOX COUNTER

**Aufbauanleitung**  
User manual



**PIXLIP GO®**

[www.pixlippo.com](http://www.pixlippo.com)



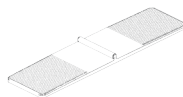
# KOMPONENTEN COMPONENTS



4×  
**Profil 900**  
Profile 900



4×  
**Eckverbinder**  
Corner connector



2×  
**Fußplatte**  
Base plate



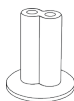
1×  
**Thekenplatte**  
Tabletop



8×  
**Print Clip**  
Print clip



6×  
**Verschlusskappe**  
Cover cap



2×  
**Systemverbinder Top**  
System connector top



1×  
**Systemverbinder Step**  
System connector step



1×  
**LED Modul**  
LED Module



1×  
**Netzgerät**  
Power supply

## OPTIONAL

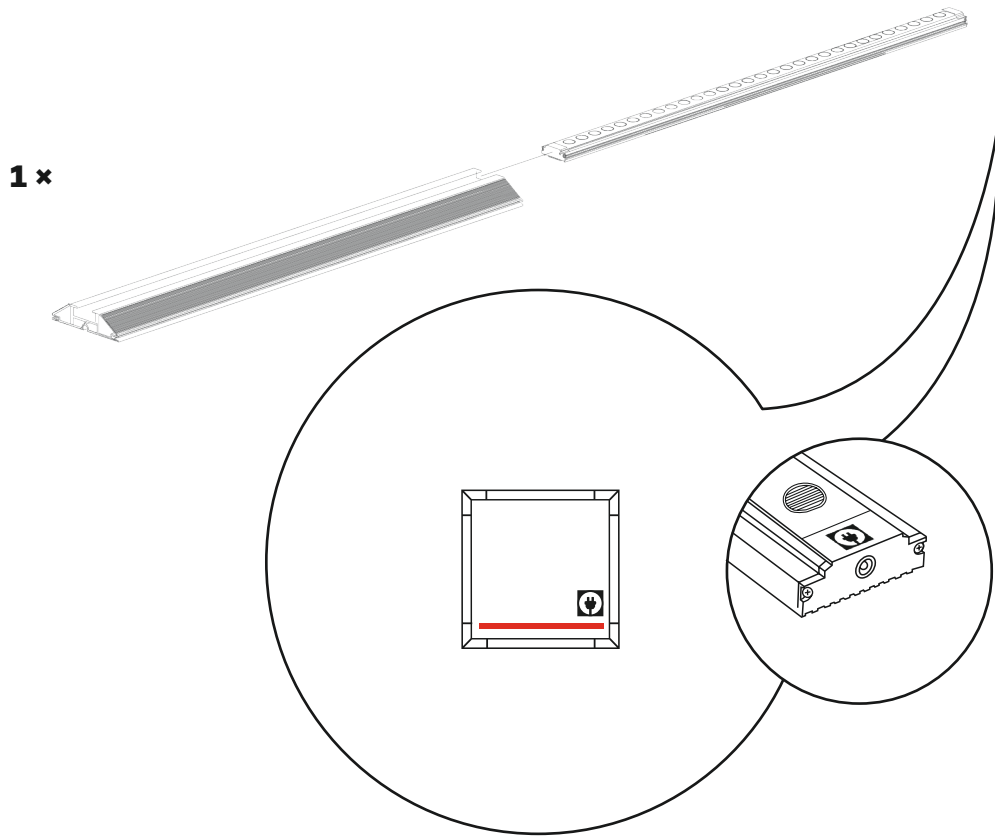


1×  
**Textil und Blockout**  
Textile and blockout

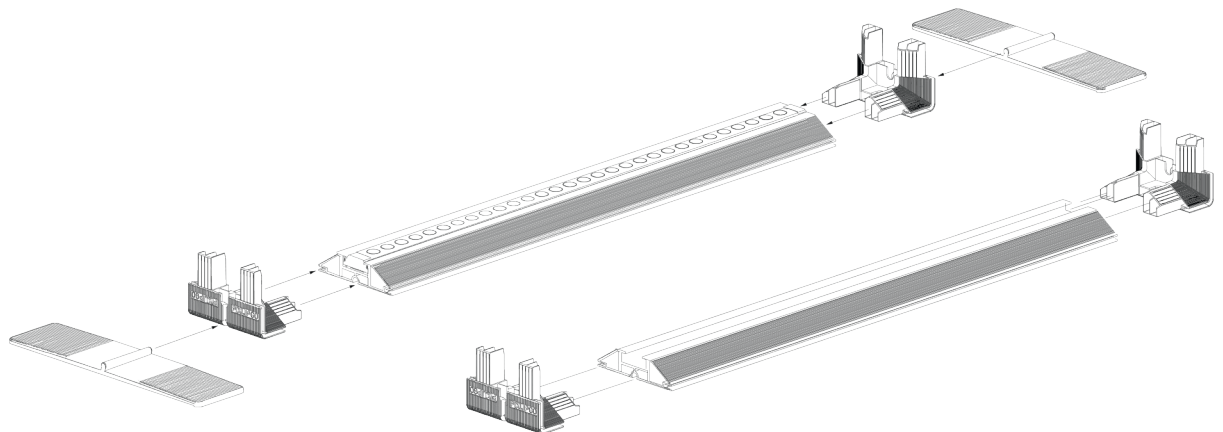


2×  
**Textil**  
Textile

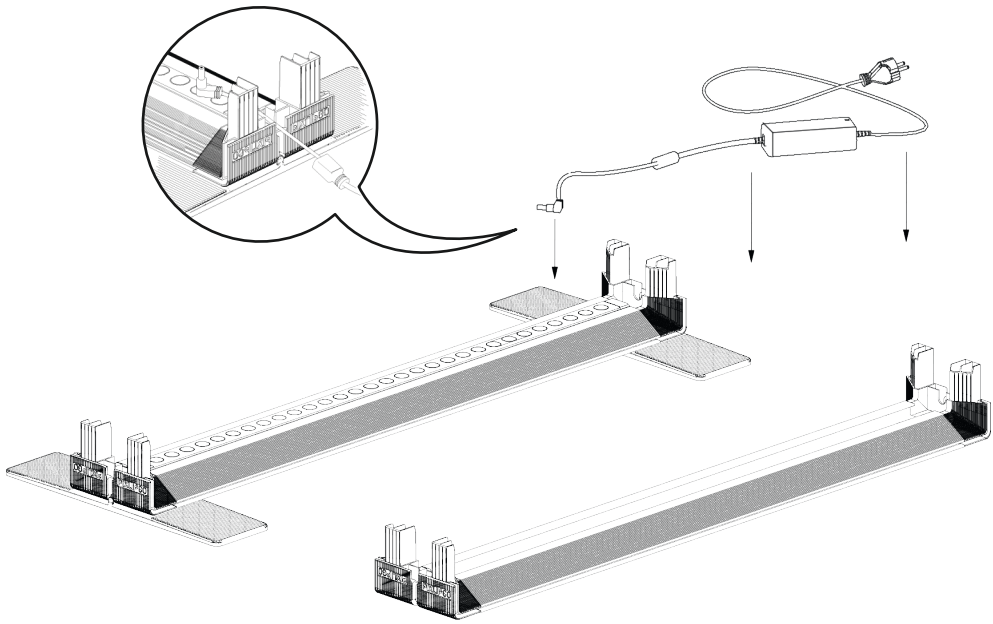
1



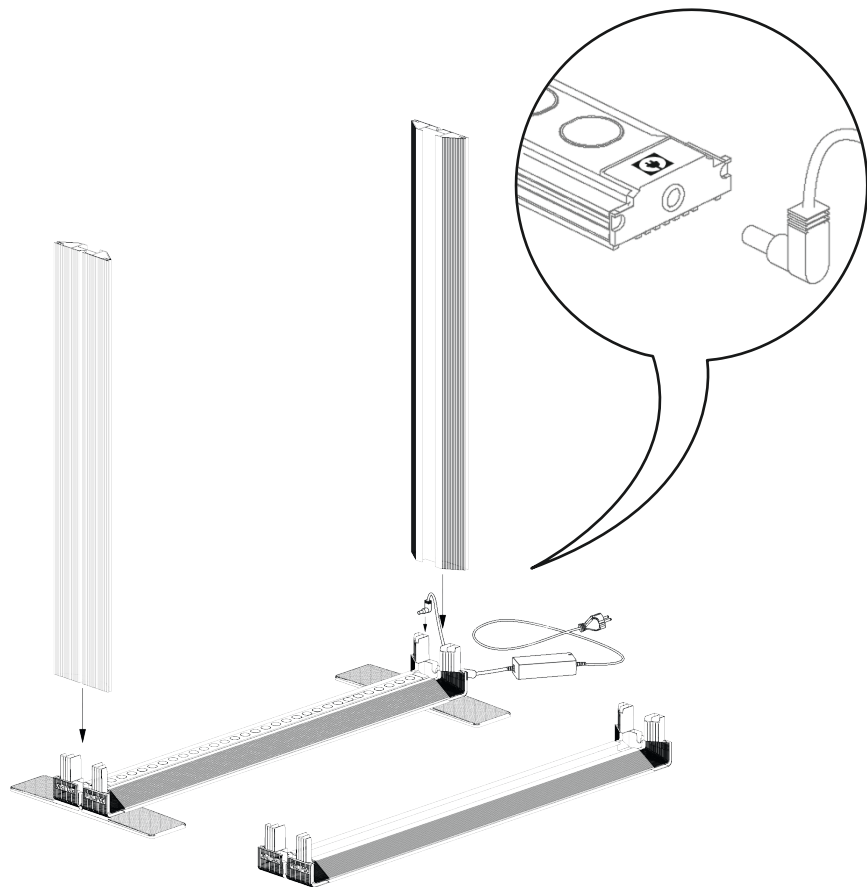
2



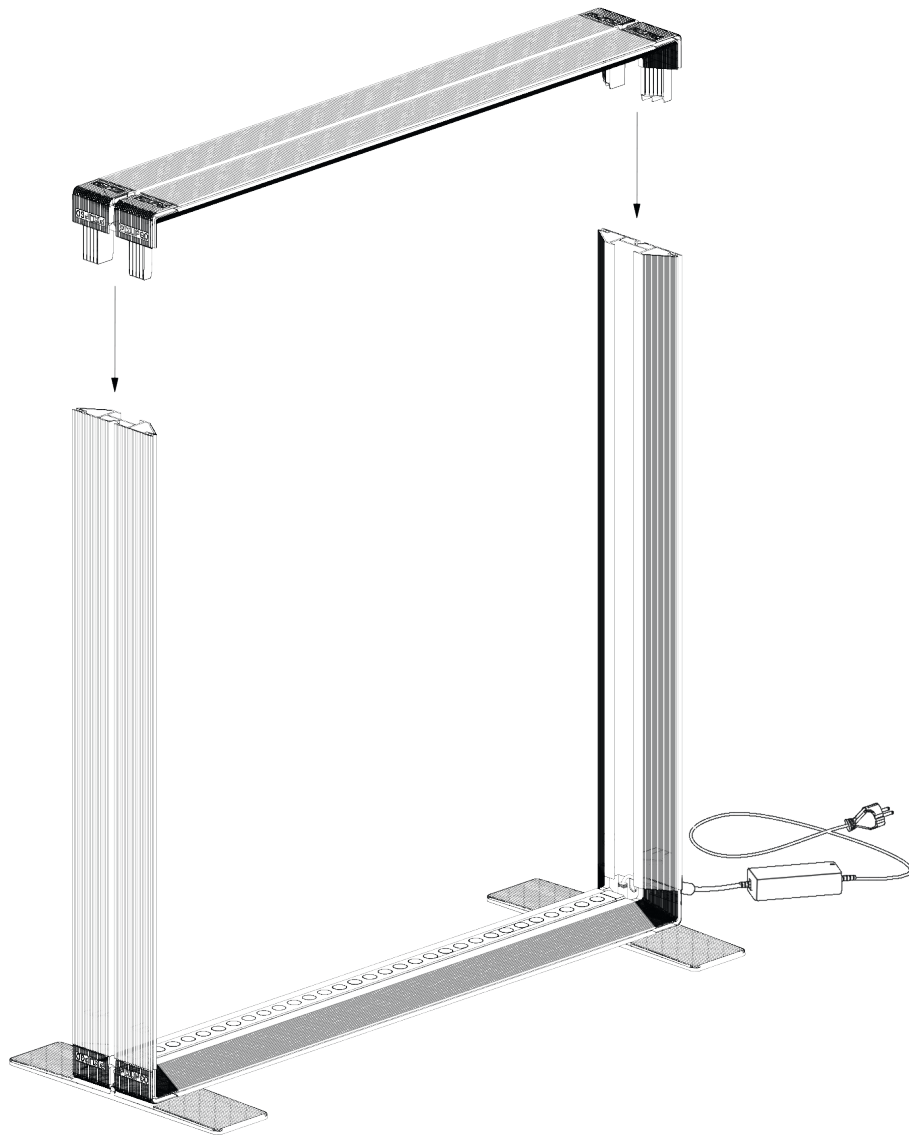
3



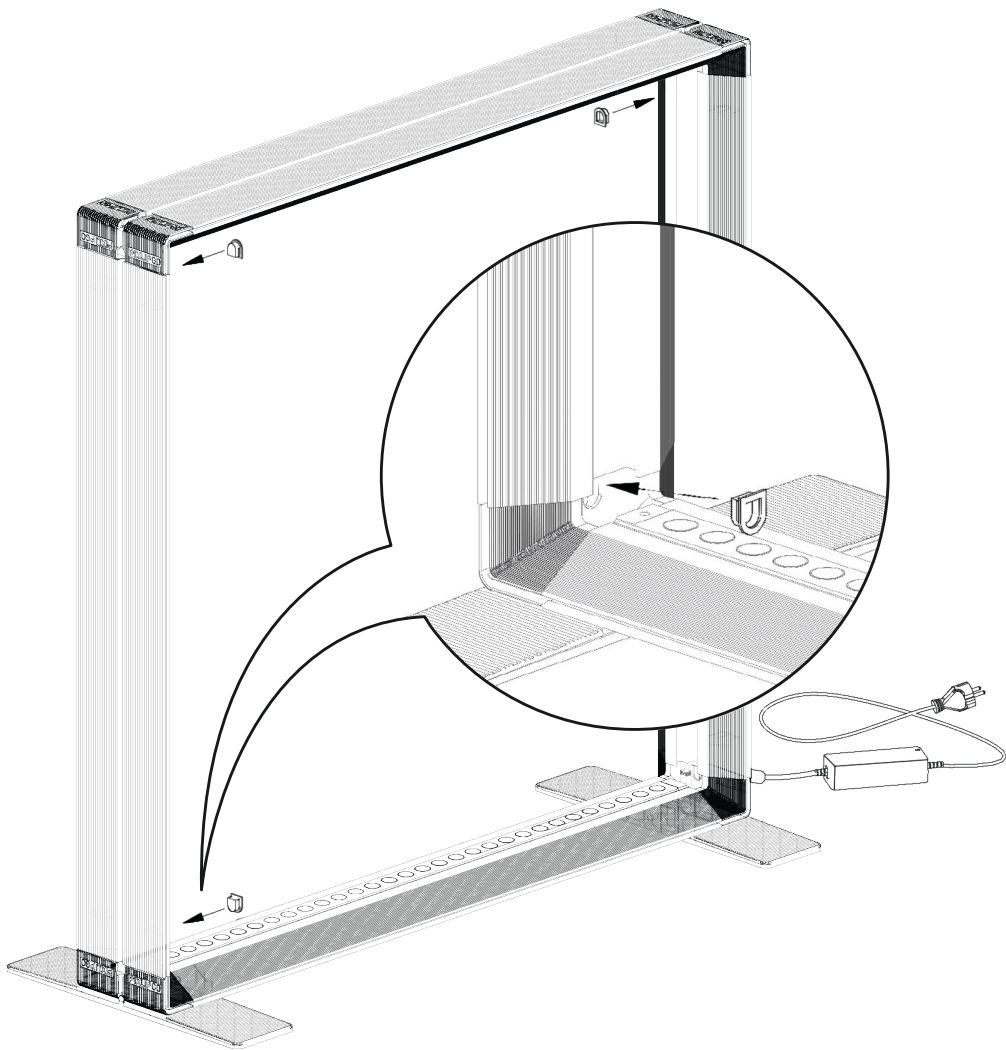
4



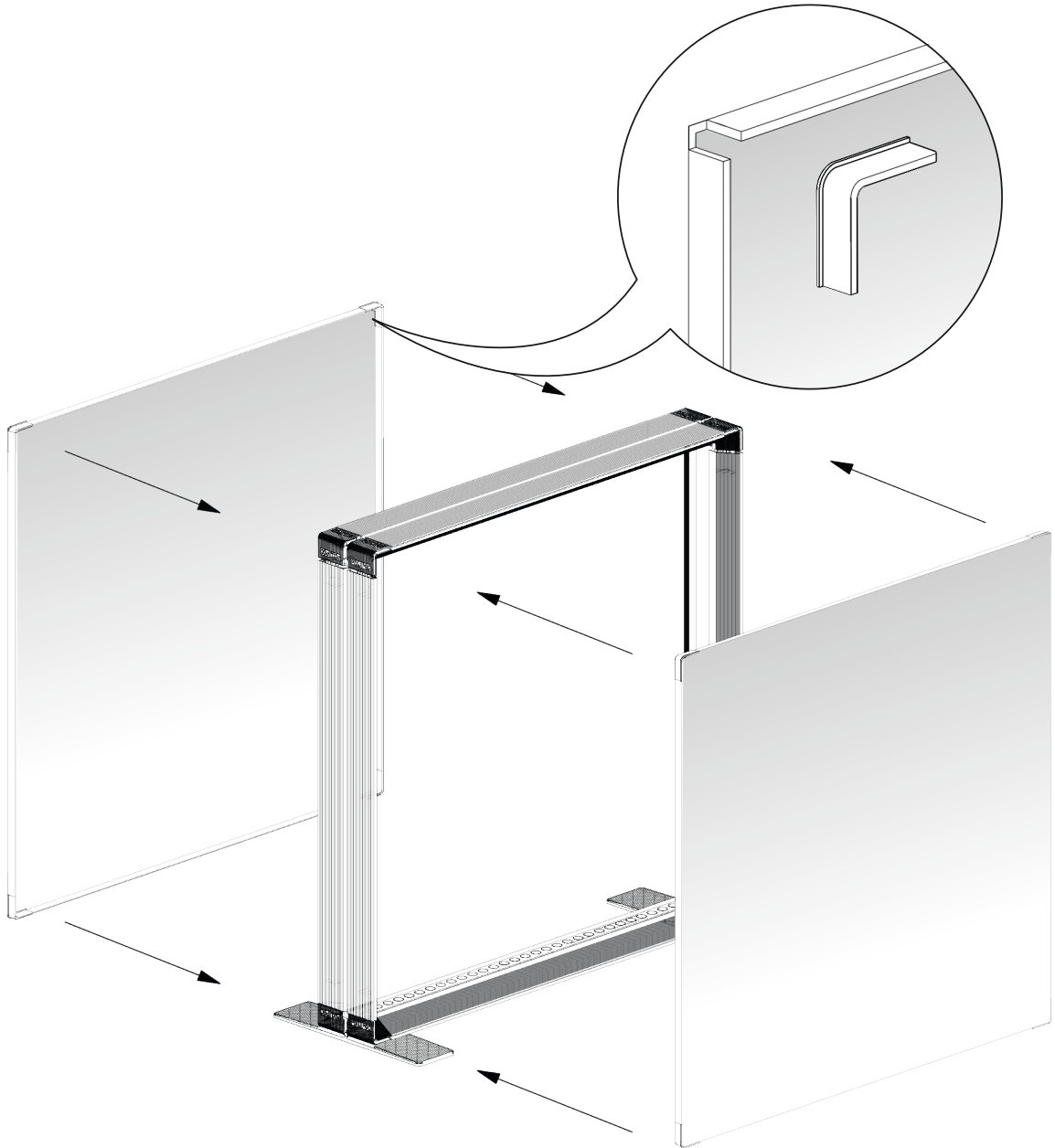
5



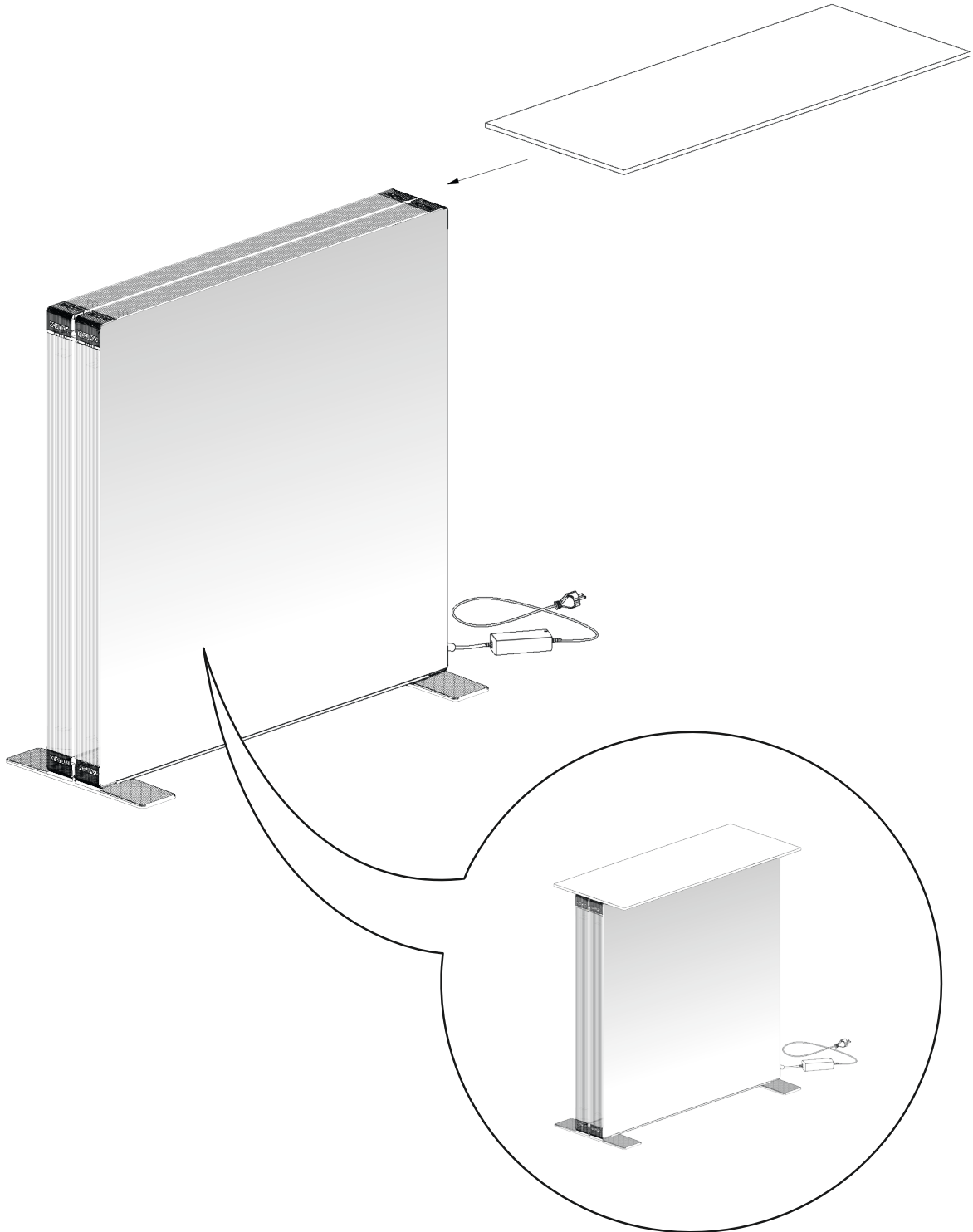
6



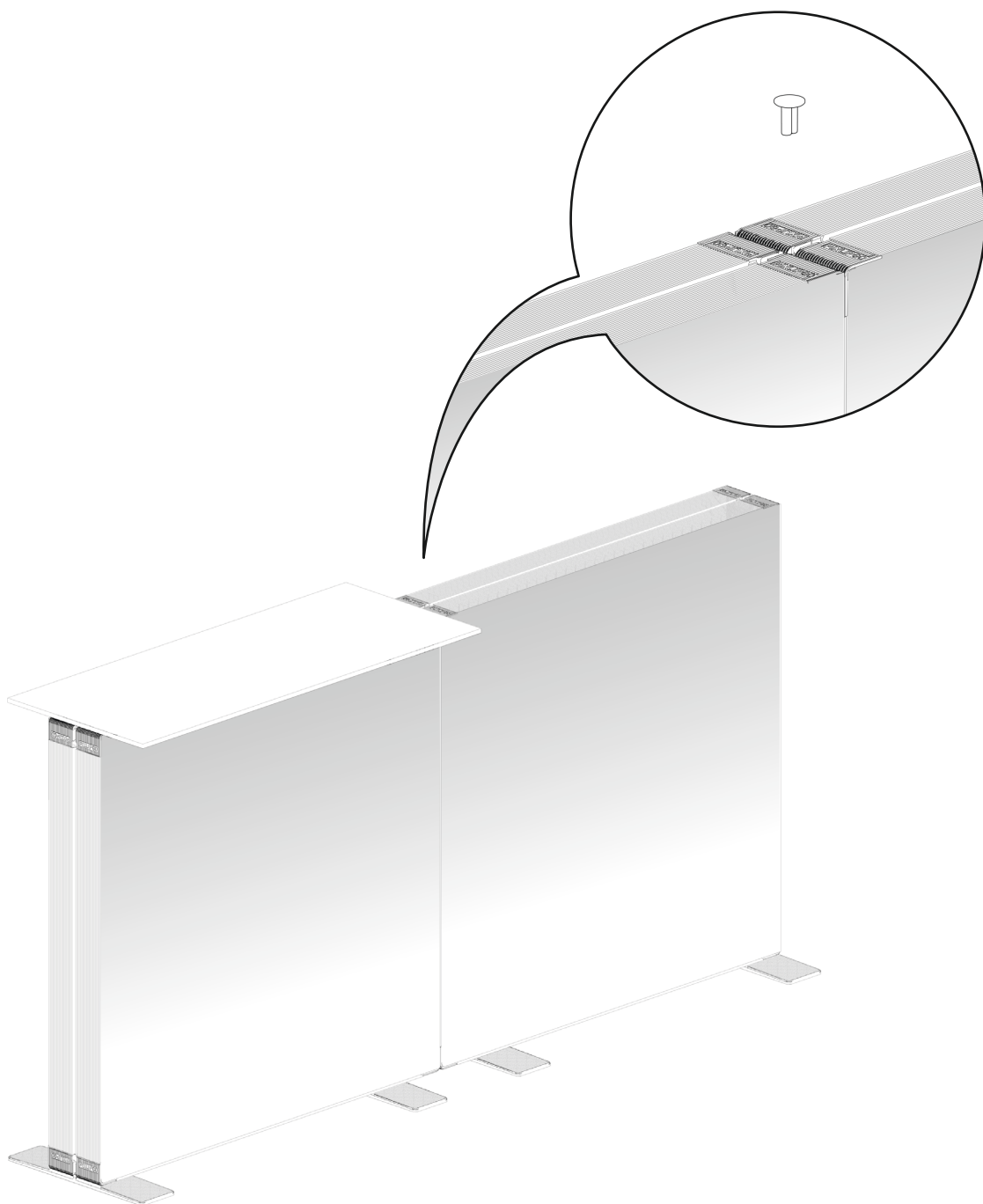
7







**OPTIONAL**



**COUNTER**

[www.pixlipgo.com](http://www.pixlipgo.com)



# PIXLIP®

**GO COUNTER**  
**AUFBAUANLEITUNG**  
USER MANUAL

© 2018

PIXLIP GmbH  
Raiffeisenstraße 17  
40764 Langenfeld  
Germany

[info@pixlip.com](mailto:info@pixlip.com)  
[www.pixlip.com](http://www.pixlip.com)  
[www.pixlipgo.com](http://www.pixlipgo.com)

[www.pixlipgo.com](http://www.pixlipgo.com)